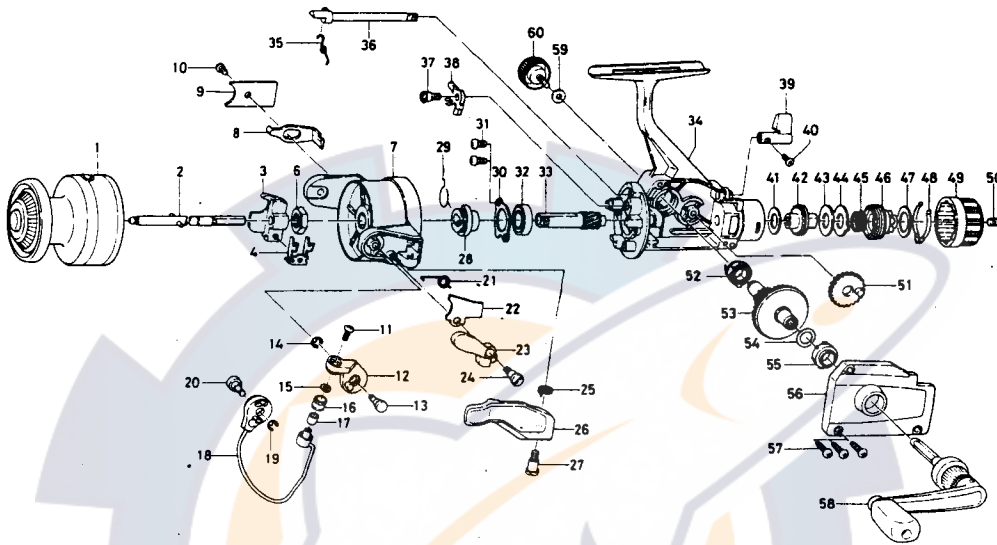


SPINNING REEL WE1355



Key No.	Parts No.	Parts Name	Price Each	Key No.	Parts No.	Parts Name	Price Each
1	E02-4301	Spool assembly	7.50	31	B83-4402	Bearing retainer screw	0.35
2	B83-4501	Main shaft	1.65	32	634-1301	Ball bearing	5.60
3	B97-9601	Oscillating slider	0.75	33	E02-3801	Pinion gear	3.25
4	B97-9701	Oscillating slider retainer	0.50	34	E00-1406	Body	11.45
6	B67-9401	Rotor nut	0.50	35	B44-8501	Anti-reverse cam spring	0.40
7	B81-8501	Rotor	9.80	36	B44-8401	Anti-reverse cam	0.70
8	B83-5701	Bail trip lever	0.65	37	B61-8101	Anti-reverse pawl screw	0.95
9	B74-7303	Bail trip cover	0.35	38	B90-3001	Anti-reverse pawl	0.40
10	B83-4401	Bail trip cover screw	0.55	39	B83-3401	Anti-reverse lever	1.30
11	B67-9303	Line roller screw	0.40	40	B12-8201	Anti-reverse lever screw	0.50
12	B67-4601	Bail arm	1.20	41	B48-9901	Drag washer A	0.40
13	B83-3801	Bail arm screw	0.45	42	B83-3602	Click gear	0.80
14	320-5901	Bail arm screw retainer	0.40	43	B76-0501	Drag washer B	0.40
15	B55-4301	Line roller washer	0.35	44	B49-0102	Eared washer	0.35
16	250-3921	Line roller	0.80	45	B92-6702	Drag coil spring	0.40
17	B45-1501	Line roller bushing	0.40	46	B74-7603	Drag screw	0.90
18	B84-7001	Bail	5.30	47	B90-8201	Drag washer C	0.40
19	320-5901	Bail trip cam screw retainer	0.40	48	B74-7702	Drag washer spring	0.40
20	B83-4201	Bail trip cam screw	0.60	49	B82-5505	Drag knob	1.35
21	B83-3701	Bail spring	0.45	50	352-1105	Drag knob spring screw	0.70
22	B83-3901	Bail spring cover	0.35	51	B74-2501	Oscillating gear	0.70
23	B67-4901	Trigger plate	1.20	52	631-6901	Ball bearing	5.60
24	B68-8801	Bail spring cover screw	0.80	53	E01-0501	Drive gear	2.40
25	B67-5201	Trigger spring	0.40	54	373-7800	Drive gear washer	0.35
26	B67-5105	Trigger lever	2.10	55	631-6901	Ball bearing	5.60
27	B68-8802	Trigger screw	0.75	56	E00-1506	Side cover	6.00
28	B83-5601	Anti-reverse ratchet	1.30	57	B83-5001	Side cover screw	0.60
29	145-0501	Anti-reverse pawl spring	0.50	58	E00-1601	Handle	5.90
30	B45-6401	Bearing retainer	0.35	59	B92-4901	Handle lock washer	0.40
				60	E00-1801	Handle lock screw	0.50